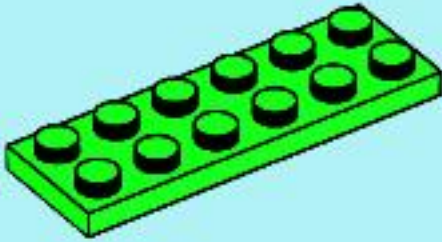
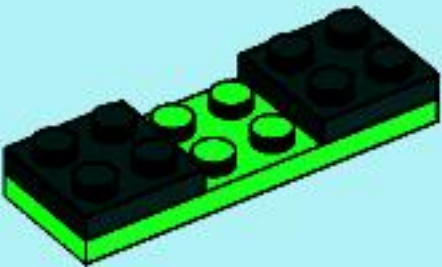




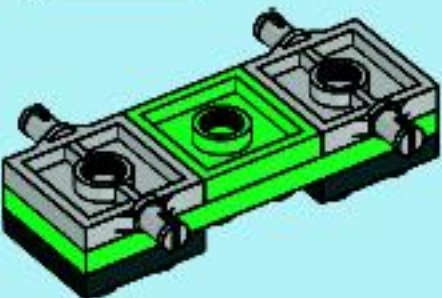
1



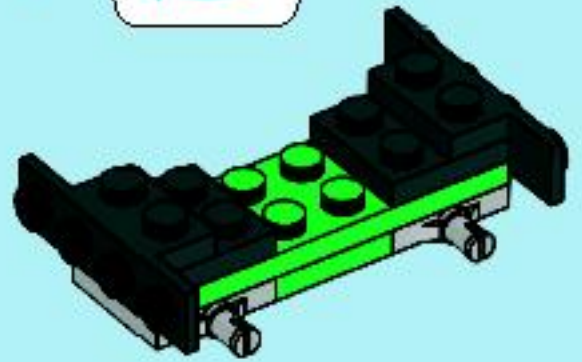
2



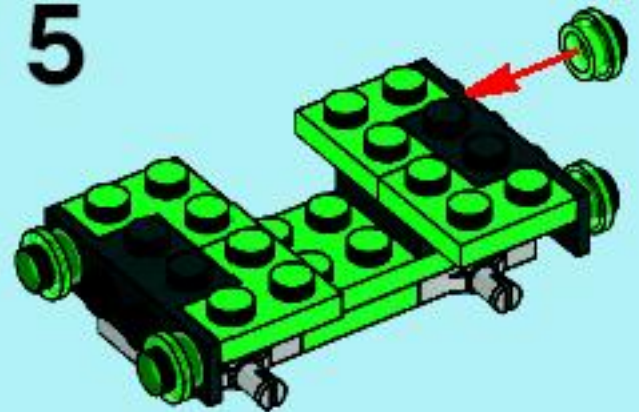
3



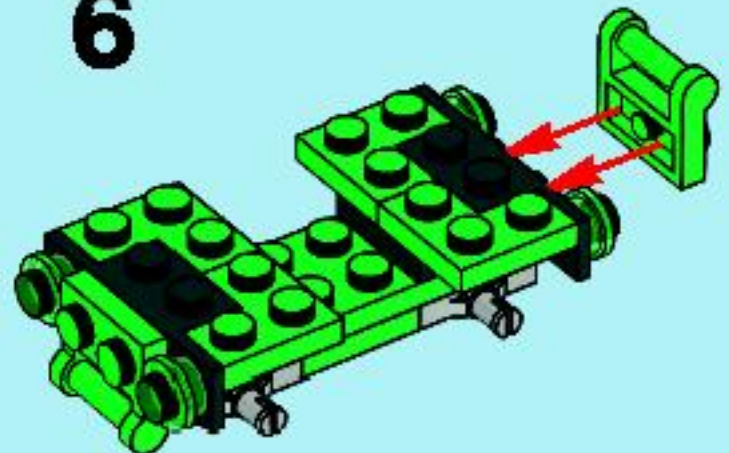
4



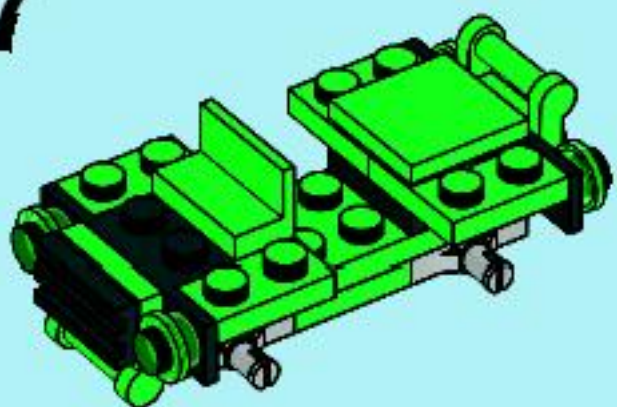
5



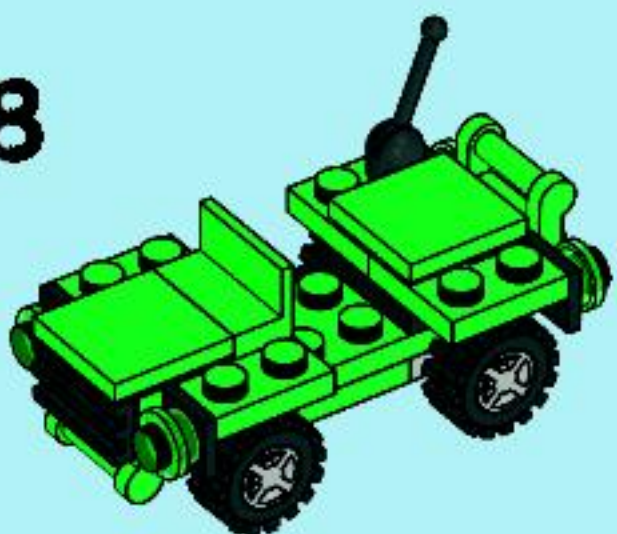
6



7



8



LEGO and theLEGO logo are trademarks of the LEGO Group.
©2010 The LEGO Group. 4597193
© Disney/Pixar



7590



7593



LEGO.COM/TOYSTORY